



## Tango 16

Combined 2G/3G & GPS Antenna



### Key Features

- Quad band 2G, 3G and ISM compatible
- GPS antenna combined
- Rugged and durable
- Through hole mount

### General Description

The Tango 16 is a weather resistant combination GSM/GPS antenna intended for outdoor equipment such as vending machines and similar.

The base of the antenna has a circular rubber O ring to ensure that water does not seep through the bolt hole when secured to the equipment casing.

Supplied as standard with SMA connectors. Alternative connectors and cable lengths can be specified for volume orders.

### Additional Considerations

- 2dBi GSM gain,
- 28dBi LNA GPS gain
- O ring seal - prevents water ingress





## Tango 16

Combined 2G/3G & GPS Antenna

### Electrical Specifications

#### GSM Antenna

Frequency Range:	824 - 960MHz 1710-2170MHz
VSWR:	<2.0
Polarization:	Linear
Gain:	2.0dBi
Impedance:	50 Ohm

#### Dielectric Antenna

Center Frequency:	1575.42MHz
Impedance:	50 Ohm
Polarization:	RHCP
Gain:	2dBic
VSWR:	<1.5
Axial Ratio:	3dB (Max)

#### GPS Antenna

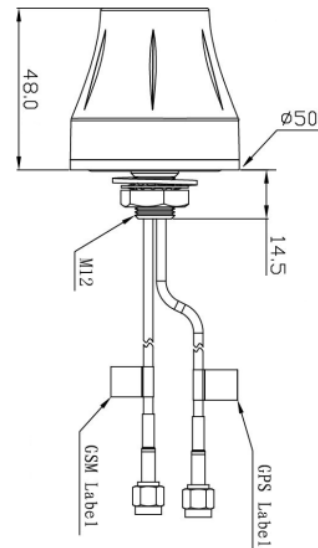
Gain:	28dB
Noise Figure:	<1.5
VSWR:	<2.0
Supply Voltage:	2.2 - 5V DC
Current Consumption:	5 - 15mA

### Mechanical Specifications

Dimensions:	H45 x 50 mm Ø
GPS Connector:	SMA Male or SMA Male RP
2G/3G Connector:	SMA Male
Cable:	RG174
Mounting Method:	M12 Screw

### Environmental Specifications

Operating Temperature:	-40 to +85°C
Relative Humidity:	Up to 95%



### Ordering Details

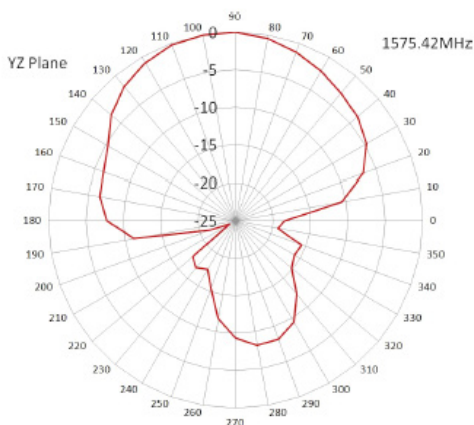
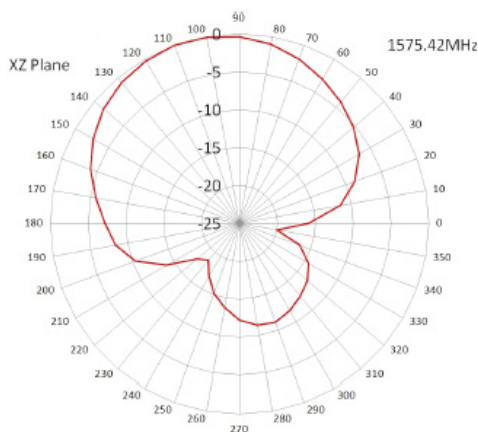
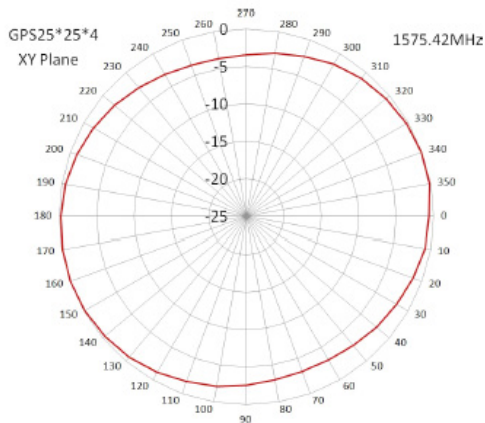
Part Number	Description
TANGO16/3M/SMAM/SMAM/S/S/26	Combined GPRS/3G & GPS Antenna SMA Male x2
TANGO16/5M/LL/SMAM/SMAM/S/S/26	Combined GPRS/3G & GPS Antenna SMA Male x2
TANGO16/5M/LL/SMAM/SMAM/RP/S/26	Combined GPRS/3G & GPS Antenna - GPS SMAM RP / GSM SMAM
TANGO16/6M/LL/SMAM/SMAM/RP/S/26	Combined GPRS/3G & GPS Antenna - GPS SMAM RP / GSM SMAM



## Tango 16

Combined 2G/3G & GPS Antenna

### GPS Radiation Patterns



### GSM Radiations Patterns

