



Oscar 18

2G/3G/4G & WIFI ENCLOSED YAGI WALLMOUNT ANTENNA



Key Features

- Yagi (directional) antenna
- 10dBi gain
- Pole/wall mounted

General Description

The Oscar 18 is a plastic enclosed Yagi-directional wall / bracket mount antenna, operating on quad band GSM/GPRS, 3G/UMTS, 4G/LTE and WiFi frequencies.

Its Yagi design provides superior performance for cellular applications in rural areas where signal reception is particularly low. The radiating element from this Yagi antenna performs in a directional manner, producing a peak gain of 10dBi to maximise signal transmission and reception.

It is supplied with a bracket for wall or pole mounting.

Additional Considerations

- Designed for indoor and outdoor environments
- Equipped with N-type female connector (inherently waterproof)
- 800 - 2500MHz frequency range

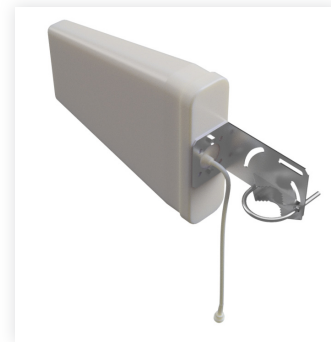
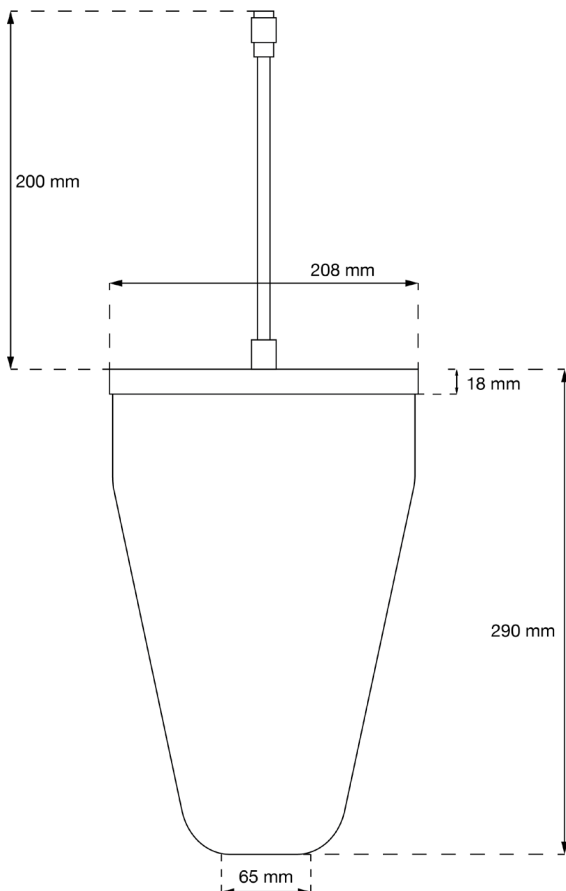


Electrical Specifications

Impedance:	50 Ohm
Peak Gain:	10dBi
VSWR:	<1.5
Frequency Range:	800 - 2500MHz
Maximum Power:	50W
Polarization:	Vertical
Half Power Beam Width:	H65° E50°
Front to Back Ratio:	<20dB

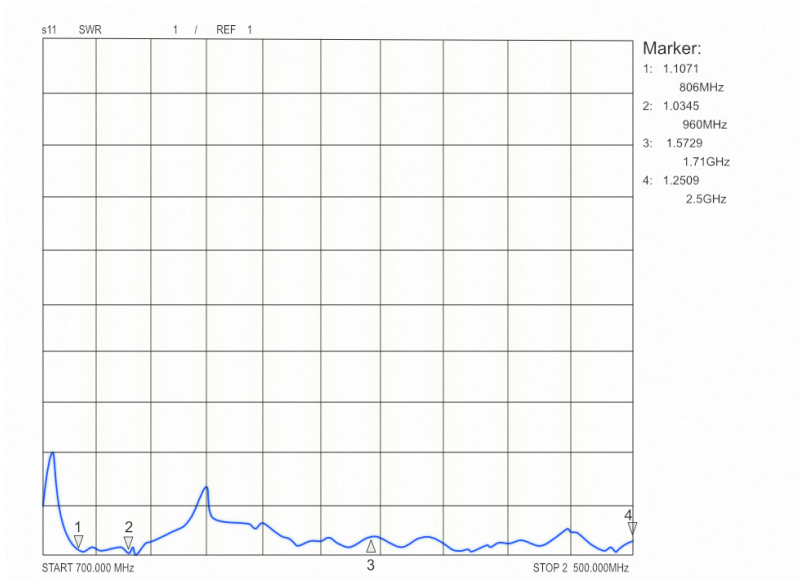
Mechanical Specifications

Dimensions:	L294 x H210 x W65mm
Weight:	1350g
Connector:	N Type Female
Radome Material:	PVC
Rated Wind Velocity:	55m/s



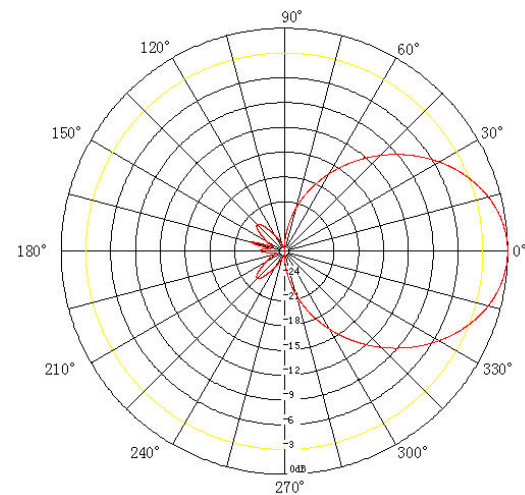


VSWR

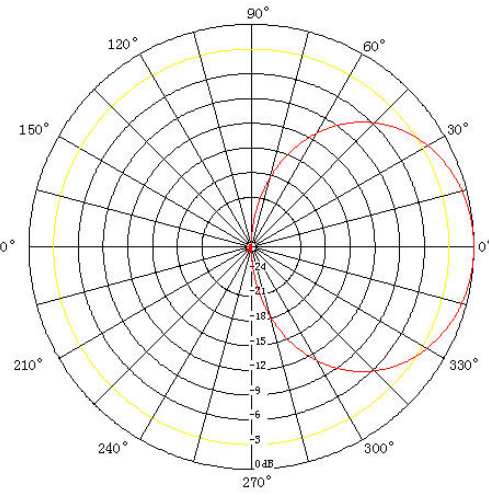


Radiation Patterns

Vertical



Horizontal



Ordering Details

Part number	Description
OSCAR18/x/NF/S/S/22	2G/3G/4G & WIFI ENCLOSED YAGI WALLMOUNT ANTENNA N-TYPE FEMALE CONNECTOR STUBBY CABLE